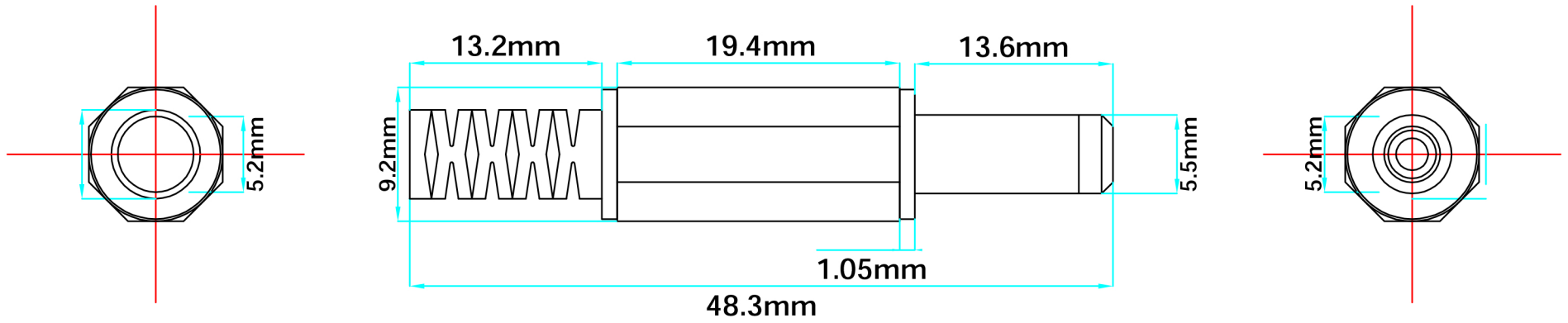


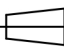


ROHS 2.0



Tolerance $\times \times . \pm$ $\times . \pm$ $. \times \pm$ Angle: $\times ^\circ \pm$	Approve: Zou Hua	 an INFINITE brand	
	Check: Luo Xiao		
	Draw: Zhang Bo		
	Unit : mm	Part No:	986
 	Date : 6/5/2019	Scale: 1:1	Sheet: 1/1 Rev: 1
Title:	DC Power Male Solder Connector- 2.1mm I.D- 5.5mm O.D		